



RDM-6WALL SIGNAL SPLITTER



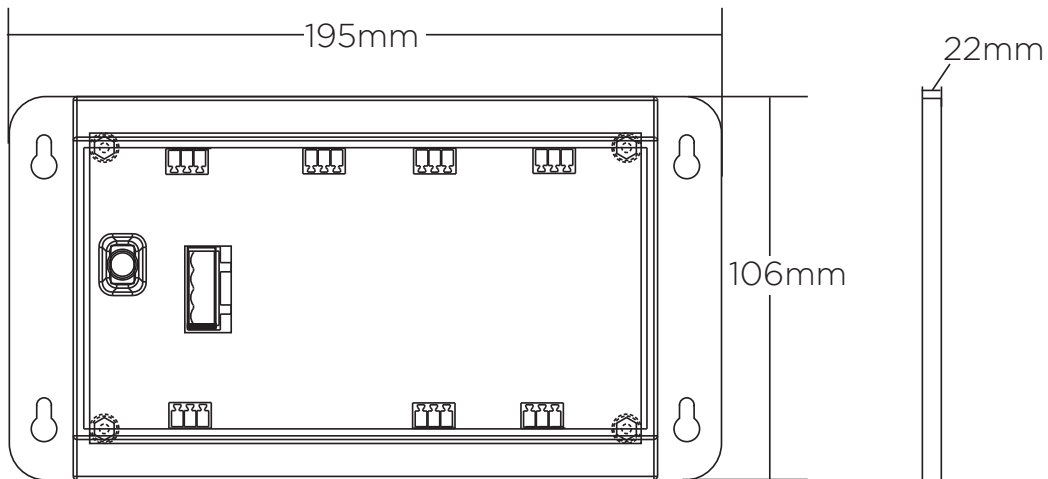
The Strand RDM-6WALL signal splitter is a 6-port wall mount RDM splitter designed for system distribution of DMX-512A(RDM) network. Use as easy as the normal DMX-512 splitter, plug and play with 3-pin signal connectors.



RDM-6 WALL SIGNAL SPLITTER

FEATURES

- Competible for both DMX-512A(RDM) and DMX-512(1990)
- Compact plastic wall mount housing design
- Signal In/Thru (3 pin connector) and 6 ports Signal buffered output (3 pin connector)
- Signal Line Out or Terminate push button
- CE / ETL/cETL and FCC marked





RDM-6WALL SIGNAL SPLITTER

POWER

Supply	12-24VDC
Frequency	50/60 Hz

CONNECTIONS

DMX512	Input (on rear of unit) 6 ports of DMX-512A(RDM) output (on front panel)
---------------	---

ENVIRONMENT

	°C	°F
Operating temperature	0 to 35°	32 to 95
Humidity	5-95% non-condensing	
Storage temperature	-40-70	-40-58

PHYSICALS

	kg	lb
Weight	0.2	0.44

DIMENSIONS

	mm	in
H x W x D	195 x 106 x 22	7.7 x 4.17 x 0.87

WARRANTY & APPROBATIONS

Warranty	2 years
Approvals / Listings	CE / ETL/cETL and FCC marked

PRODUCT NAME

DMX512A(RDM) 6 ports splitter, 1U Rackmount

ORDER CODE

RDM6WALL

©2020 Signify Holding. All rights reserved.

All trademarks are owned by Signify Holding or their respective owners. The information provided herein is subject to change, without notice. Signify does not give any representation or warranty as to the accuracy or completeness of the information included herein and shall not be liable for any action in reliance thereon. The information presented in this document is not intended as any commercial offer and does not form part of any quotation or contract, unless otherwise agreed by Signify. Data subject to change.

Ref: RDM6WALL-100-00